

Mobile 4-Shelf Literature Display Assembly Instructions

1. Tap Plugs into ends of Base Bars with mallet.
2. Screw in either Leveling Feet or Casters.
3. Tap Bushings into Slide Supports until screw holes align.
4. Anchor Bushings into Slide Supports by inserting Screws.
5. Attach Base Bars to Slide Supports using Long Screws.
6. Attach Slide Mounts to Shelves. Do not tighten. Leave 1/8" of space.
7. Attach Slide Mounts to Top and Bottom Center Supports. Do not tighten. Leave 1/8" of space.
8. Note the faint markings along the inner groove of the Side Supports.
9. Slide Bottom Support down Side Supports until it reaches the bottom. Tighten screws.
10. Slide Shelves (one at a time) down Side Supports. Tighten screws.
11. For even spacing, anchor the shelves at positions #2, #4, #6, and #8.
12. Slide Top Support down Side Supports until tops are aligned. Tighten screws.
Tap Plugs into ends of Slide Supports with mallet.

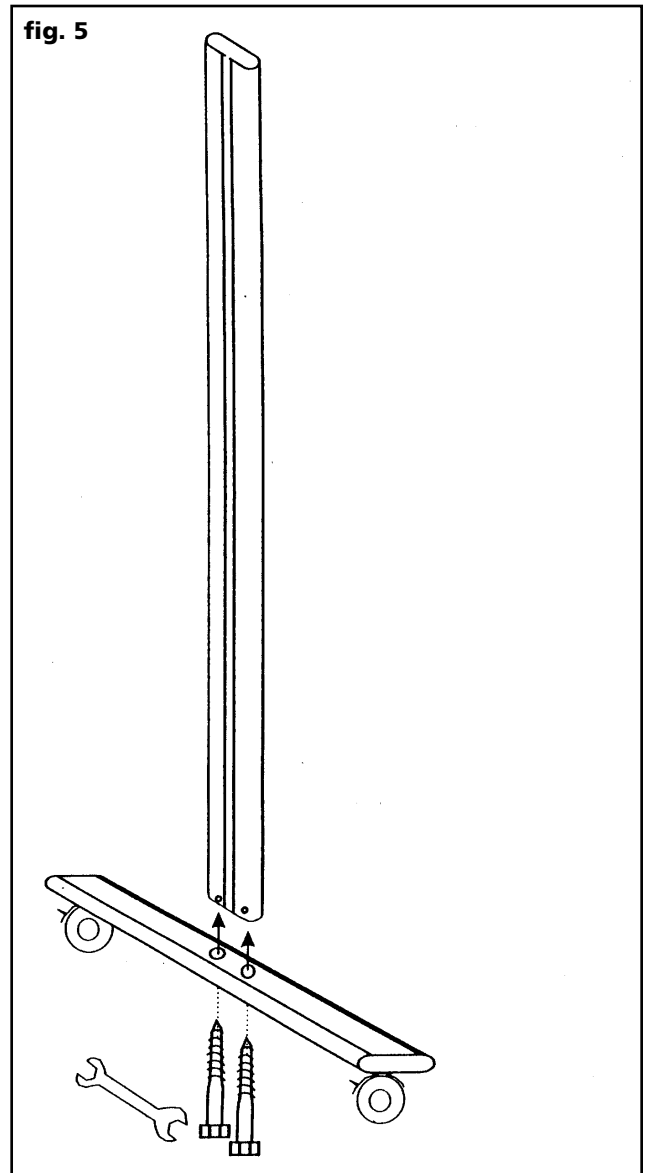
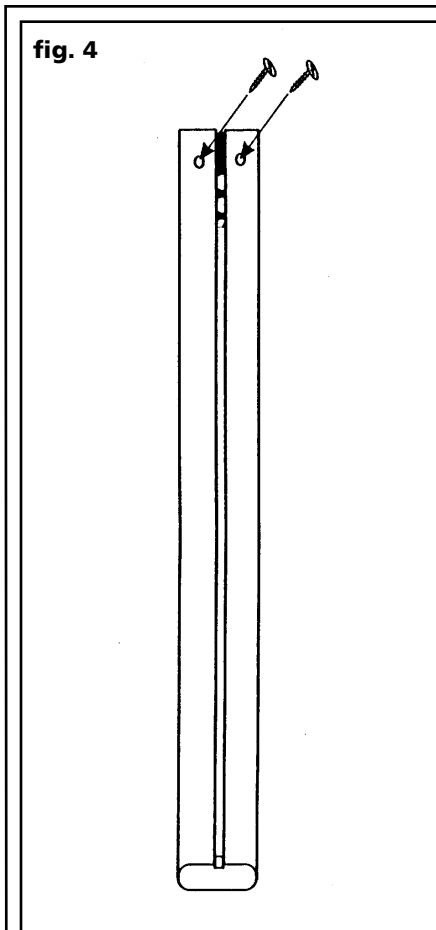
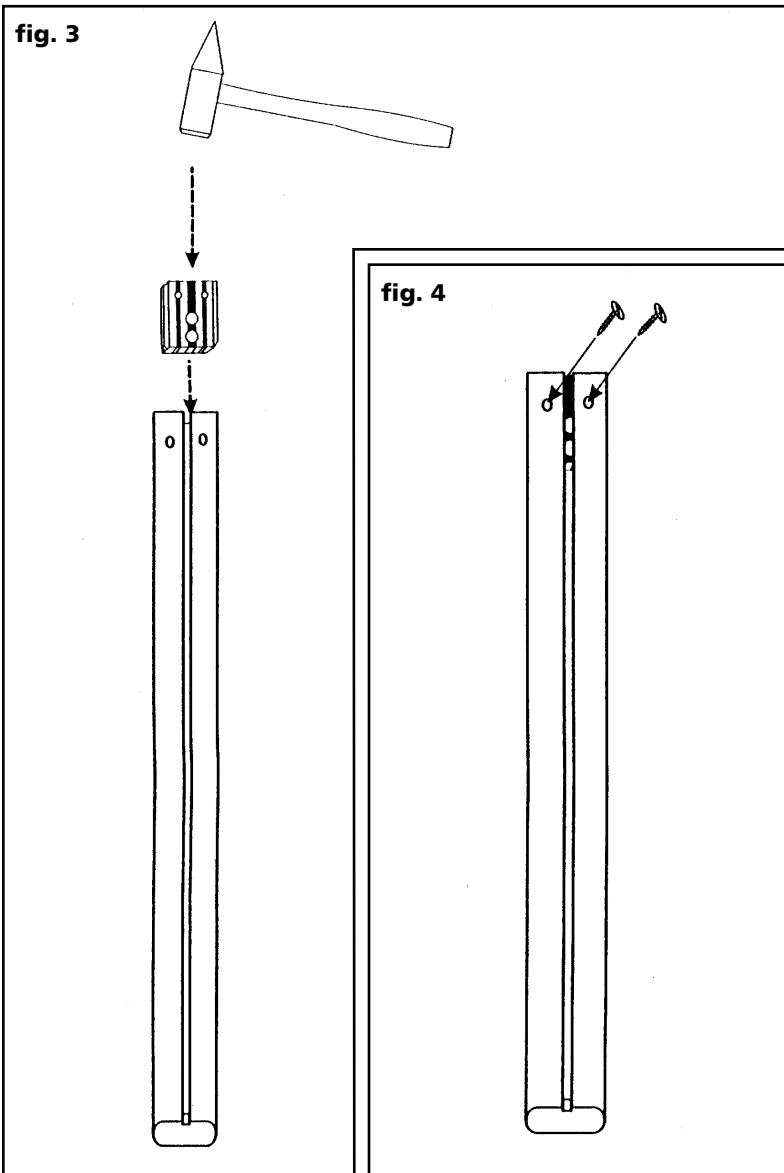
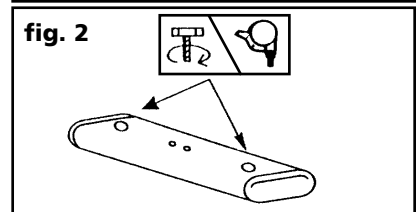
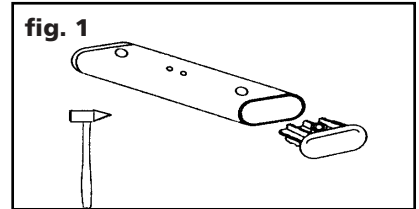


fig. 6

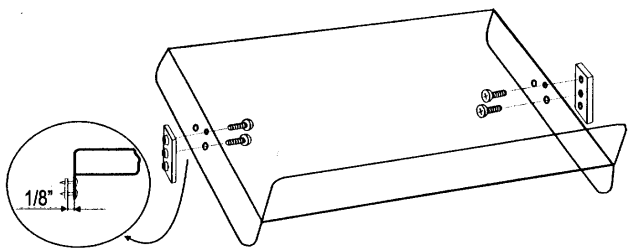


fig. 7

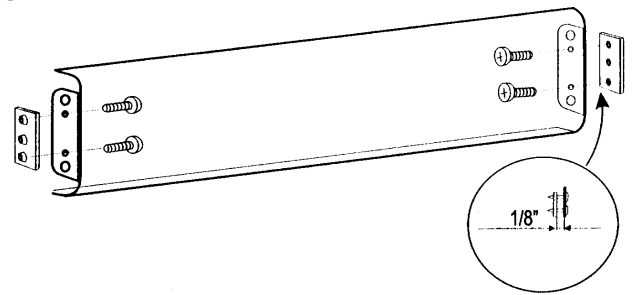


fig. 8

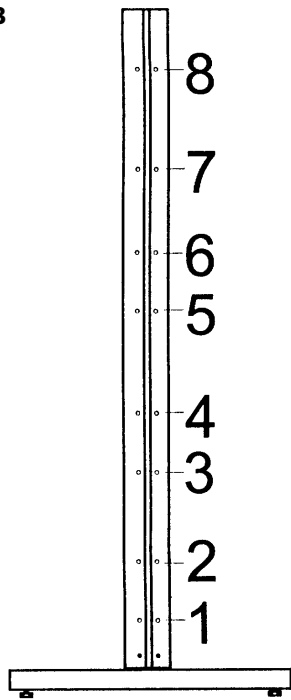


fig. 9

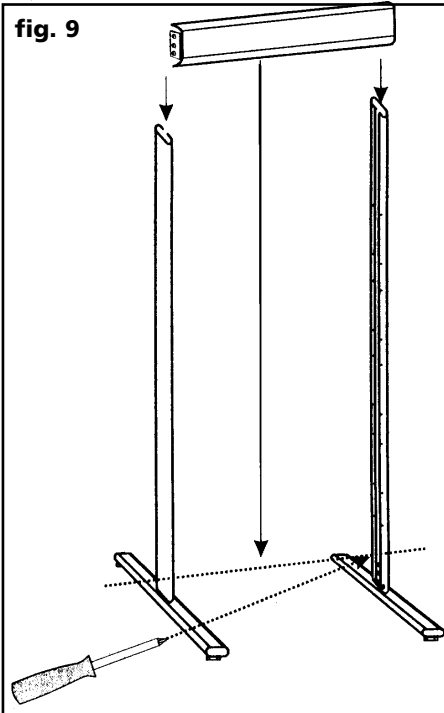


fig. 10

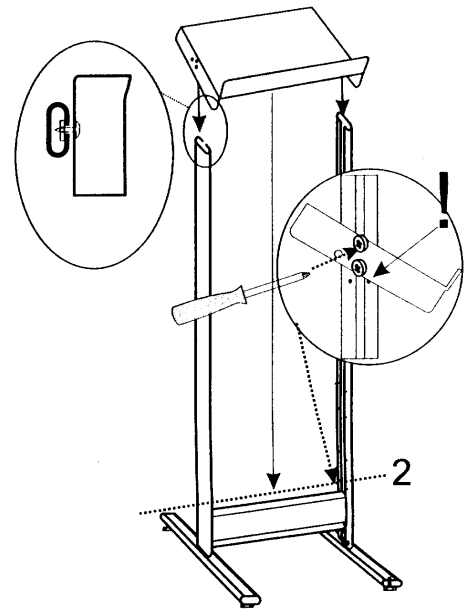


fig. 11

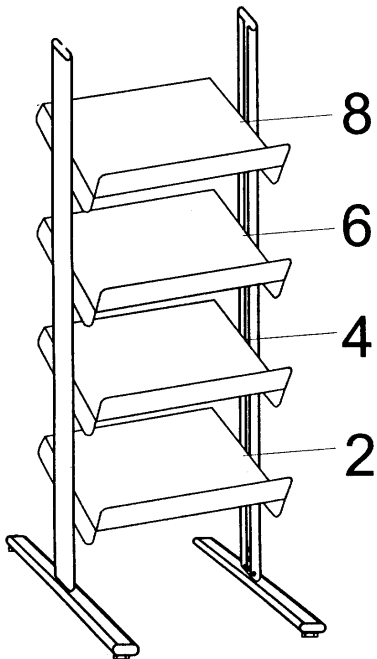


fig. 12

