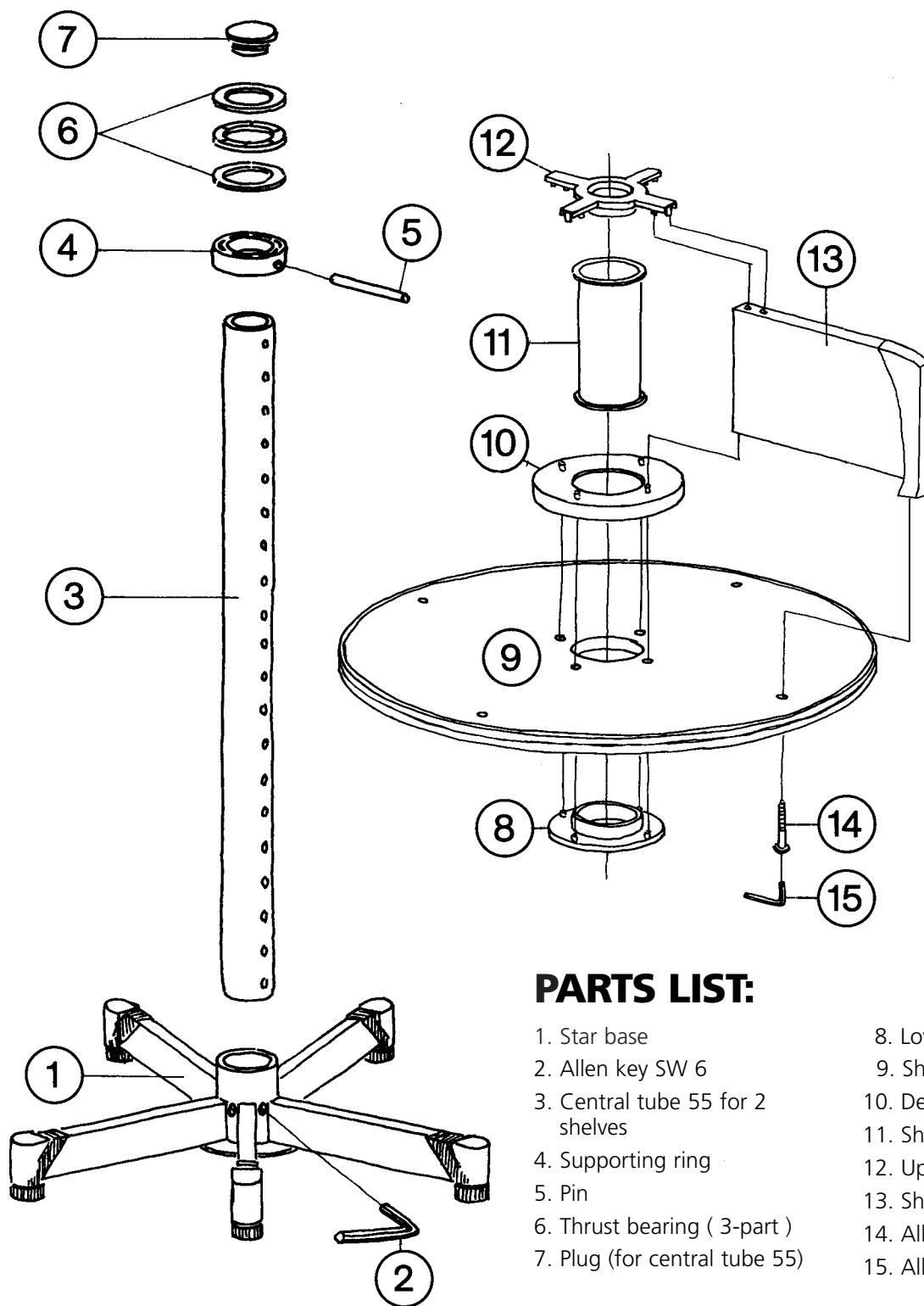


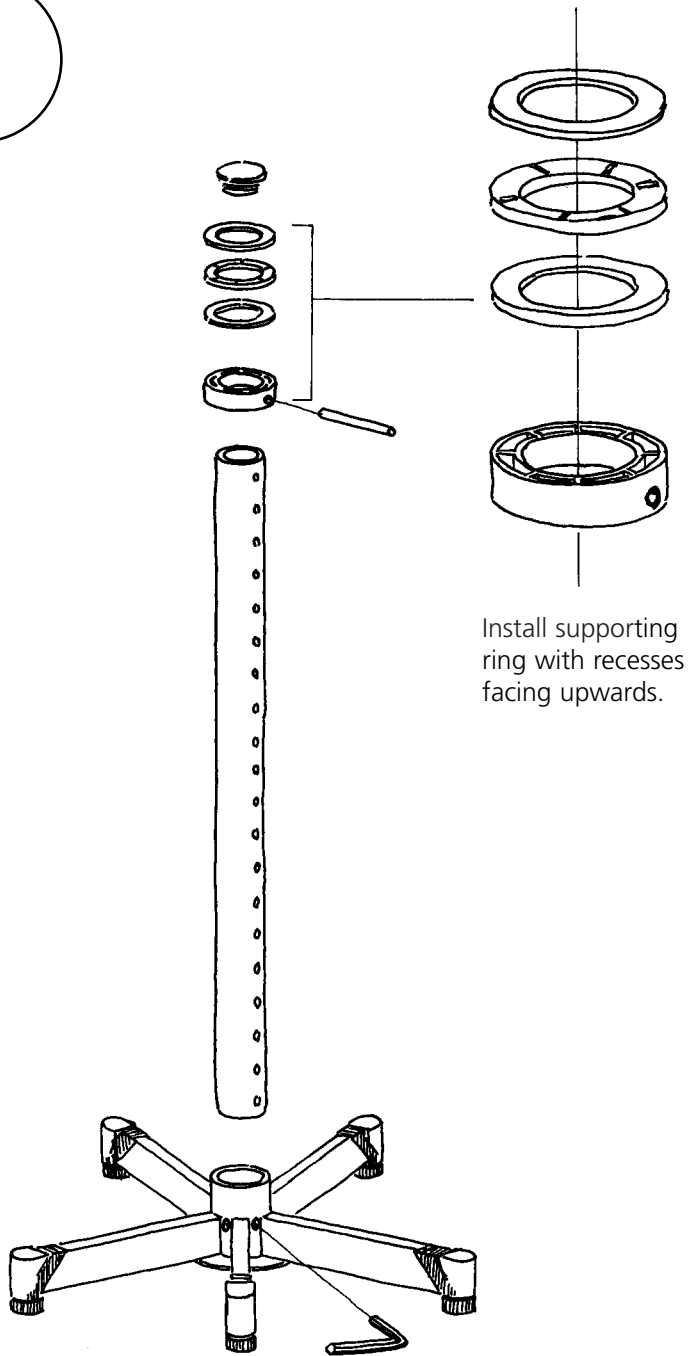
Binder Carousel Assembly Instructions



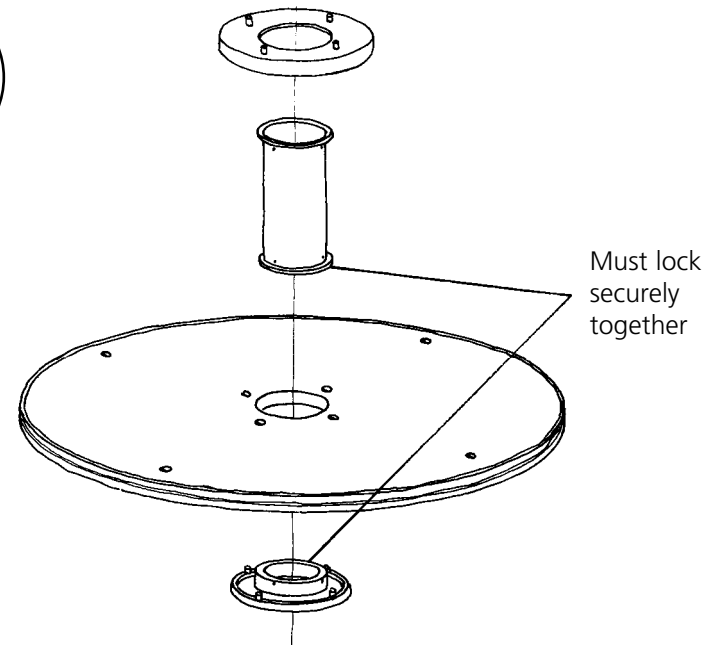
PARTS LIST:

- | | |
|----------------------------------|-------------------------|
| 1. Star base | 8. Lower guide ring |
| 2. Allen key SW 6 | 9. Shelf 80 |
| 3. Central tube 55 for 2 shelves | 10. Depth stop ring 192 |
| 4. Supporting ring | 11. Shelf tube |
| 5. Pin | 12. Upper ring guide |
| 6. Thrust bearing (3-part) | 13. Shelf partition 80 |
| 7. Plug (for central tube 55) | 14. Allen screw M 6 |
| | 15. Allen key SW 4 |

1



2



3

