

Using your new **BestBuilt Binder** is a snap!

This innovative binder features 3-position rings for easy turning and access!

Finger-touch trigger lock will never open unexpectedly

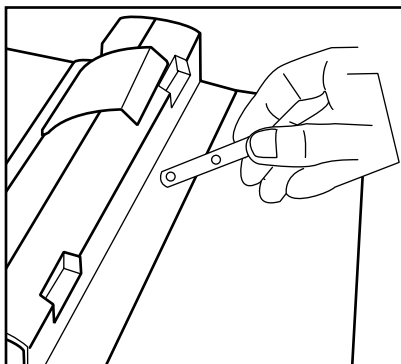
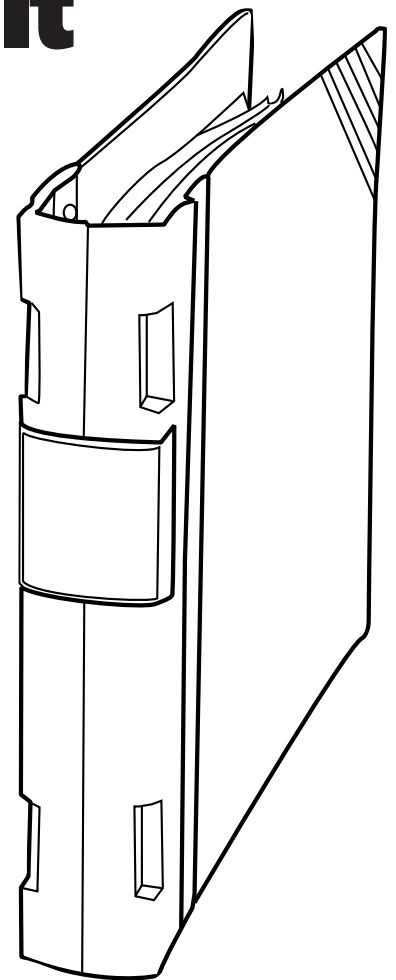
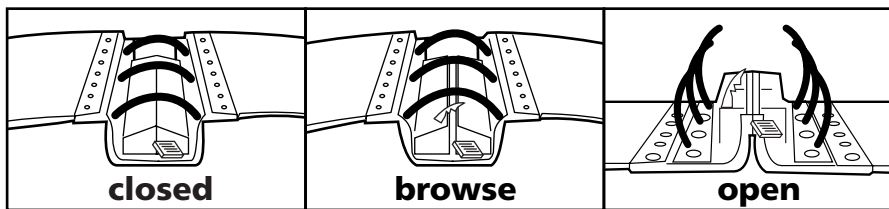
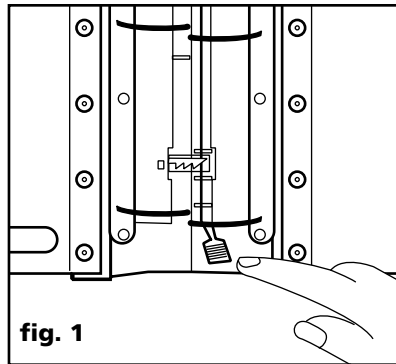
For easier viewing of your documents, BestBuilt Binders have three viewing positions: closed, browse and fully open. Use the closed position for quick searches, the browse position for a more precise search, and the fully open position to retrieve documents.

To use this unique feature, simply open the binder cover and locate the black trigger below the bottom ring (fig. 1). To open the binder to the browse position, press the trigger until it releases half-way.

Press the trigger again to open the binder all the way.

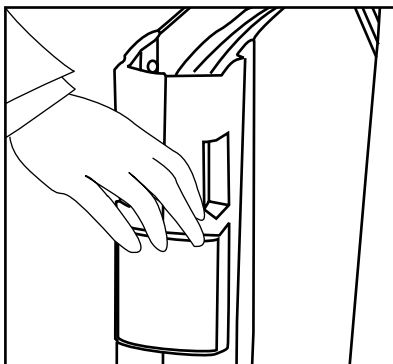
With the built-in

safety latch, you can drop it, throw it, and step on it—the heavy-duty trigger mechanism will not spring open!



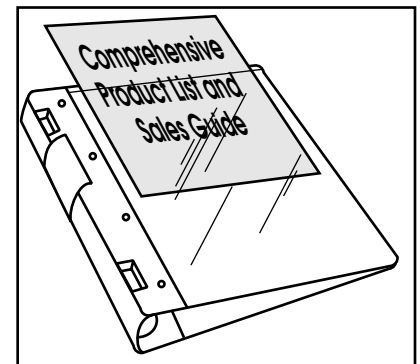
Removable snap-on tabs make labeling easy

For easy labeling, snap off one of the transparent snap-on tabs. Remove the label supplied from its pocket. Customize your label, then replace it in the pocket and snap the tab back into place.



Ergonomic spine is effortless to grab off the shelf

To remove a binder from a full shelf, grasp the binder by its ergonomic indentations molded right into the binder spine. Grips near top or bottom give you easy access from upper or lower shelves.



Clear presentation pockets resist ink and toner transfer

If you have the BestBuilt Presentation Binder (item #KB60), for easier insertion of a cover page, simply blow a small puff of air into the pocket before slipping in your custom cover.